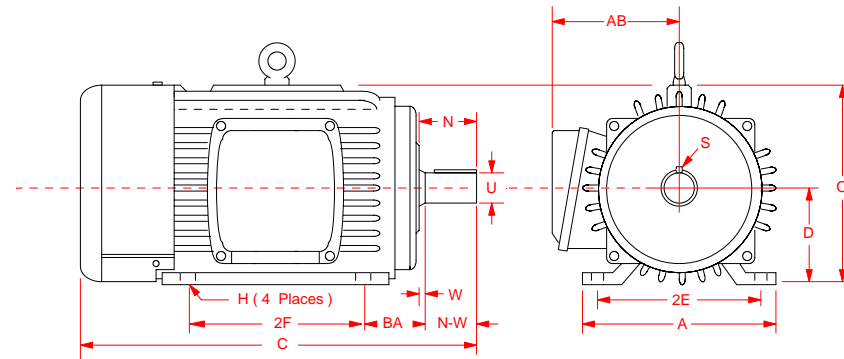


- NEMA Design B Premium Efficiency
- Service Factor 1.15
- Constant Torque 10:1
- Variable Torque. Zero to Base Speed
- TEFC enclosure (IP-55)
- Foot Mounting
- Junction Box F1 position
- Insulation Class “F”

HP	Frame	Full Load RPM	Full Load Torque (LB-FT)	No Load Amps (460V)	Full Load Amps (460V)	A	B	C	D	O	P	AB	Mounting				Drive Shaft			Weight LB
													2E	2F	BA	H	U	N-W	S	
1	143T-2	3,495	1.51	0.94	1.5	6.8	6	13.5	3.5	7.3	7.2	6.7	5.5	4	2.25	0.34	0.875	2.25	0.187	NA
1	143T-4	1,750	3.02	1.04	1.5	6.8	6	13.5	3.5	7.3	7.2	6.7	5.5	4	2.25	0.34	0.875	2.25	0.187	54
1	145T-6	1,150	4.60	1.00	1.7	6.8	6.8	14.5	3.5	7.3	7.2	6.7	5.5	4	2.25	0.34	0.875	2.25	0.187	NA
2	145T-2	3,485	3.01	0.90	2.6	6.8	6.8	14.5	3.5	7.3	7.2	6.7	5.5	4	2.25	0.34	0.875	2.25	0.187	NA
2	145T-4	1,740	6.04	1.50	2.8	6.8	6.8	14.5	3.5	7.3	7.2	6.7	5.5	4	2.25	0.34	0.875	2.25	0.187	63
2	184T-6	1,180	8.90	1.70	2.9	9	8.7	17.1	4.5	9.1	9.37	8	7.5	4.5	2.75	0.41	1.125	2.75	0.25	NA
3	182T-2	3,540	4.46	1.70	3.8	9	7.7	16.2	4.5	9.1	9.37	8	7.5	4.5	2.75	0.41	1.125	2.75	0.25	NA
3	182T-4	1,765	8.94	1.83	3.7	9	7.7	16.2	4.5	9.1	9.37	8	7.5	4.5	2.75	0.41	1.125	2.75	0.25	99
3	213T-6	1,180	13.38	2.40	4.2	10.1	7.1	18	5.25	10.9	10.9	10.5	8.5	5.5	3.5	0.41	1.375	3.38	0.31	NA
5	184T-2	3,530	7.45	2.35	6.1	9	8.7	17.1	4.5	9.1	9.37	8	7.5	4.5	2.75	0.41	1.125	2.75	0.25	NA
5	184T-4	1,755	14.98	3.30	6.1	9	8.7	17.1	4.5	9.1	9.37	8	7.5	4.5	2.75	0.41	1.125	2.75	0.25	106
5	215T-6	1,180	22.28	3.50	6.9	10.1	8.5	20	5.25	10.9	10.9	10.5	8.5	5.5	3.5	0.41	1.375	3.38	0.31	NA
7.5	213T-2	3,535	11.16	2.70	9	10.1	7.1	18	5.25	10.9	10.9	10.5	8.5	5.5	3.5	0.41	1.375	3.38	0.312	NA
7.5	213T-4	1,770	22.30	3.70	9.1	10.1	7.1	18	5.25	10.9	10.9	10.5	8.5	5.5	3.5	0.41	1.375	3.38	0.312	165
7.5	254T-6	1,185	33.70	4.60	10.3	12.2	10.1	23.45	6.25	13	13.58	11.5	10	8.25	4.25	0.53	1.625	4	0.375	NA
10	215T-2	3,530	14.89	3.10	11.8	10.1	8.5	20	5.25	10.9	10.9	10.5	8.5	5.5	3.5	0.41	1.375	3.38	0.312	NA
10	215T-4	1,765	29.79	4.45	12.1	10.1	8.5	20	5.25	10.9	10.9	10.5	8.5	5.5	3.5	0.41	1.375	3.38	0.312	183
10	256T-6	1,185	44.37	5.70	13.8	12.2	12.76	25.2	6.25	13	13.58	11.5	10	8.25	4.25	0.53	1.625	4	0.375	NA
15	254T-2	3,560	22.15	4.56	17.4	12.2	10.1	23.45	6.25	13	13.58	11.5	10	8.25	4.25	0.53	1.625	4	0.375	NA
15	254T-4	1,775	44.43	5.20	17.9	12.2	10.1	23.45	6.25	13	13.58	11.5	10	8.25	4.25	0.53	1.625	4	0.375	294
15	284T-6	1,185	66.55	7.42	19	12.2	12.3	26.6	7	14.6	15.1	15	11	9.5	4.75	0.53	1.875	4.62	0.5	NA
20	256T-2	3,555	29.58	5.20	23.2	12.2	12.76	25.2	6.25	13	13.58	11.5	10	8.25	4.25	0.53	1.625	4	0.375	NA
20	256T-4	1,775	59.24	6.95	23.7	12.2	12.76	25.2	6.25	13	13.58	11.5	10	8.25	4.25	0.53	1.625	4	0.375	318
20	286T-6	1,185	88.74	9.10	25.3	13.8	13.75	26.1	7	14.6	15.1	15	11	9.5	4.75	0.53	1.875	4.62	0.5	NA
25	284TS-2	3,565	36.87	4.80	28.4	12.2	12.3	25.2	7	14.6	15.1	NA	11	9.5	4.75	0.53	1.625	3.25	0.375	NA
25	284T-4	1,775	74.05	7.50	28.8	12.2	12.3	26.6	7	14.6	15.1	15	11	9.5	4.75	0.53	1.875	4.62	0.5	NA
25	324T-6	1,185	110.92	11.40	30.7	15.4	14.8	31.7	8	16.4	16.7	15	12.5	10.5	5.25	0.66	2.125	5.25	0.5	NA



- NEMA Design B Premium Efficiency
- Service Factor 1.15
- Constant Torque 10:1
- Variable Torque, Zero to Base Speed
- TEFC enclosure (IP-55)
- Foot Mounting
- Junction Box F1 position
- Insulation Class “F”

HP	Frame	Full Load RPM	Full Load Torque (LB-FT)	No Load Amps (460V)	Full Load Amps (460V)	A	B	C	D	O	P	AB	Mounting				Drive Shaft			Weight LB
													2E	2F	BA	H	U	N-W	S	
30	286TS-2	3,560	44.3	5.65	34.1	13.8	13.75	26.7	7	14.6	15.1	15	11	9.5	4.75	1.00	1.625	3.25	0.375	NA
30	286T-4	1,775	88.9	8.8	34.5	13.8	13.75	26.1	7	14.6	15.1	15	11	9.5	4.75	1.00	1.875	4.62	0.5	500
30	326T-6	1,185	133.1	12.3	36.9	15.4	16.3	33.3	8	16.4	16.7	16	12.5	10.5	5.25	1.00	2.125	5.25	0.5	NA
40	324TS-2	3,570	58.9	10.8	45.1	15.4	14.8	30.2	8	16.4	16.7	15	12.5	10.5	5.25	0.66	1.875	3.75	0.5	NA
40	324T-4	1,780	118.2	13.7	45.3	15.4	14.8	31.7	0	16.4	16.7	15	12.5	10.5	5.25	1.00	2.125	5.25	0.5	642
40	364T-6	1,190	176.7	15.1	46.3	17.1	15	33.7	9	18.31	18.1	NA	14.0	11.25	5.88	1.00	2.375	5.88	0.625	NA
50	326TS-2	3,570	73.6	11.3	56.0	15.4	16.3	31.7	8	16.4	16.7	16	12.5	10.5	5.25	0.66	1.875	3.75	0.5	NA
50	326T-4	1,780	147.7	16.4	56.3	15.4	16.3	33.3	8	16.4	16.7	16	12.5	10.5	5.25	1.00	2.125	5.25	0.5	732
50	365T-6	1,190	220.9	18.2	57.9	17.1	17.4	37.1	9	18.31	18.1	18	14.0	11.25	5.88	1.00	2.375	5.88	0.625	NA
60	364TS-2	3,575	88.2	12.5	66.7	17.1	15	31.5	9	18.31	18.1	NA	14	11.25	5.88	0.66	1.875	3.75	0.5	NA
60	364T-4	1,785	176.7	19.3	68.0	17.1	15	33.7	9	18.31	18.1	NA	14	11.25	5.88	1.00	2.375	5.88	0.625	NA
60	404T-6	1,190	265.1	21.6	69.2	20	19	38	10	20.12	20.3	NA	16	12.25	6.62	1.00	2.875	7.25	0.75	NA
75	365TS-2	3,575	110.3	14.6	83.4	17.1	16.2	34.65	9	18.31	18.1	18	14	11.25	5.88	0.66	1.875	3.75	0.5	NA
75	365T-4	1,785	220.9	24.3	84.7	17.1	17.4	37.1	9	18.31	18.1	18	14	11.25	5.88	1.00	2.375	5.88	0.625	943
75	405T-6	1,190	331.4	25.8	86.5	20	19	38	10	20.12	20.3	20	16	12.25	6.62	1.00	2.875	7.25	0.75	NA
100	405TS-2	3,575	147.1	22.4	110	20	19	38	10	20.12	20.3	19.5	16	12.25	6.62	0.81	2.125	4.25	0.5	NA
100	405T-4	1,785	294.6	33.0	113	20	19	38	10	20.12	20.3	19.5	16	12.25	6.62	1.00	2.875	7.25	0.75	1225
100	444T-6	1,190	441.8	36.5	115	21.65	20	45.1	11	22.5	23.1	NA	18	14.5	7.5	0.81	3.375	8.5	0.875	NA
150	445TS	3,580	220.3	35.8	163	21.65	20	41.3	11	22.5	23.1	NA	18	14.5	7.5	1.00	2.375	4.75	0.625	NA
150	445T-4	1,790	440.6	36.4	167	21.65	20	45.1	11	22.5	23.1	NA	18	14.5	7.5	0.81	3.375	8.5	0.875	NA
150	447T-6	1,190	662.7	42.5	171	21.65	28	53.6	11	22.5	23.1	NA	18	20.0	7.5	1.00	3.375	8.5	0.875	NA
200	447TS-2	3,580	293.7	36.0	214	21.65	28	50	11	22.5	23.1	NA	18	25	7.5	1.00	2.375	4.75	0.625	NA
200	447T-4	1,790	587.5	42.1	222	21.65	28	53.6	11	22.5	23.1	NA	18	20	7.5	1.00	3.375	8.5	0.875	NA
200	449T-6	1,190	883.6	50.8	228	21.65	28	53.6	11	22.5	23.1	NA	18	20	7.5	1.00	3.375	8.5	0.875	NA
250	449TS-2	3,580	367.2	33.5	266	21.65	28	50	11	22.5	23.1	NA	18	20	7.5	1.00	2.375	4.75	0.625	NA
250	449T-4	1,790	734.3	46.6	277	21.65	28	53.6	11	22.5	23.1	NA	18	20	7.5	1.00	3.375	8.5	0.875	NA